

DO NOT SCALE

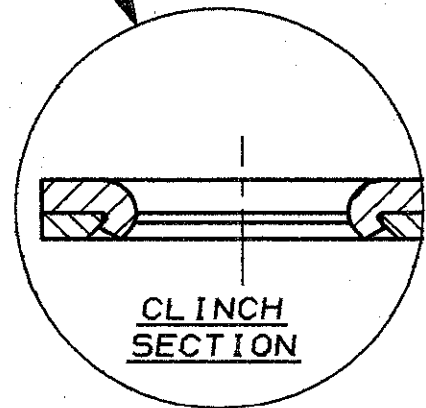
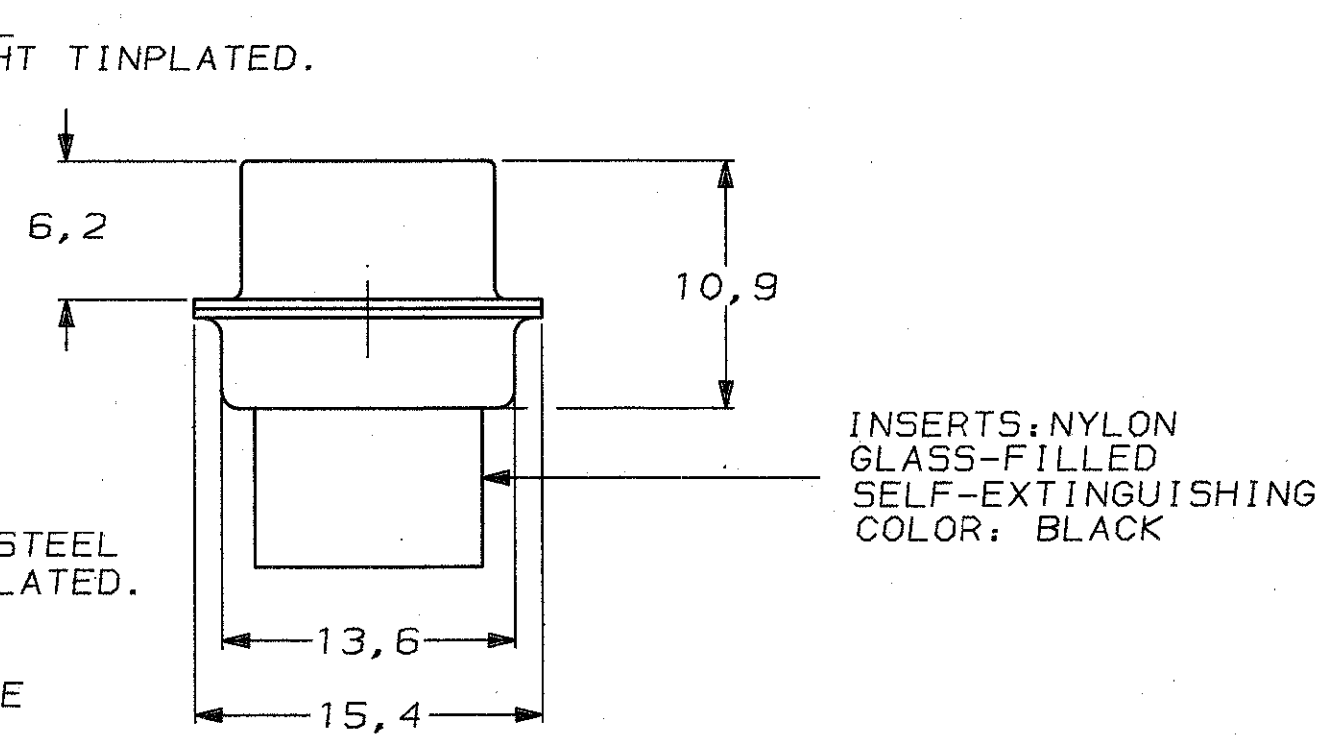
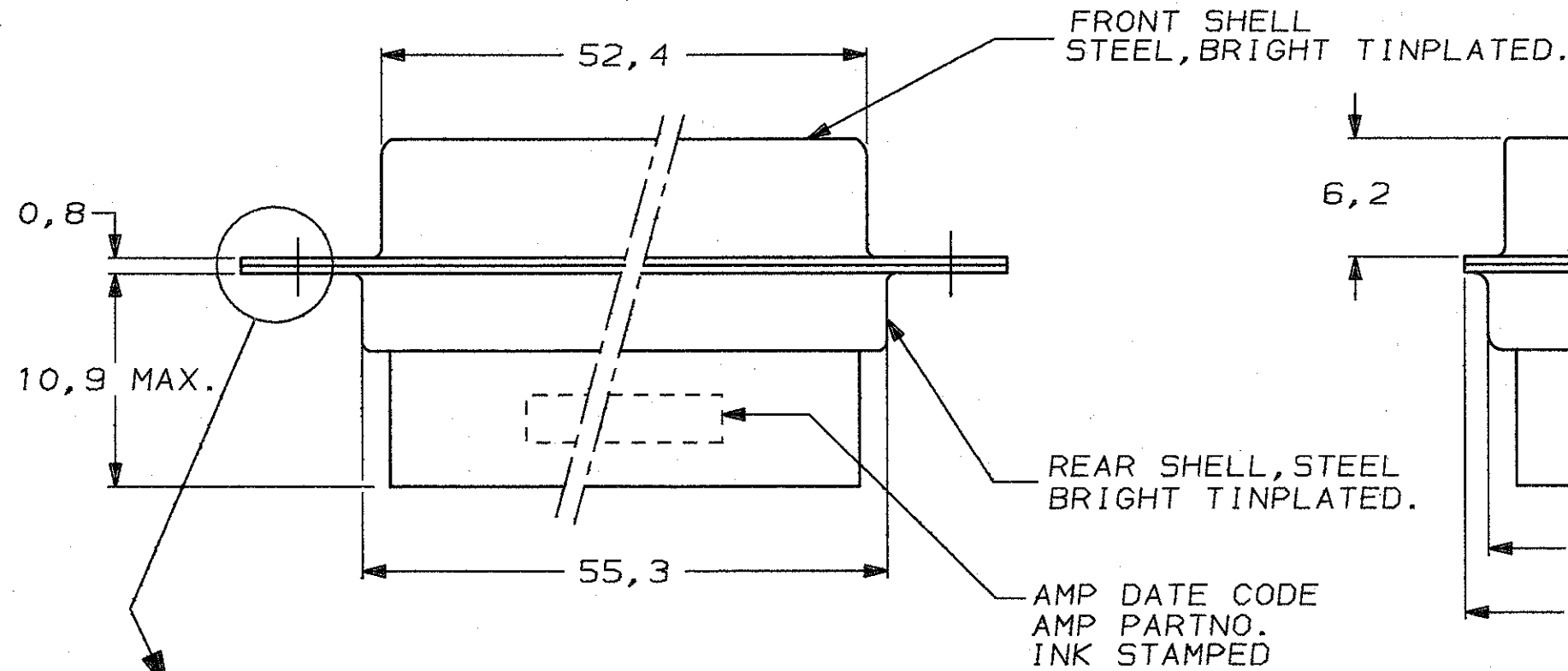
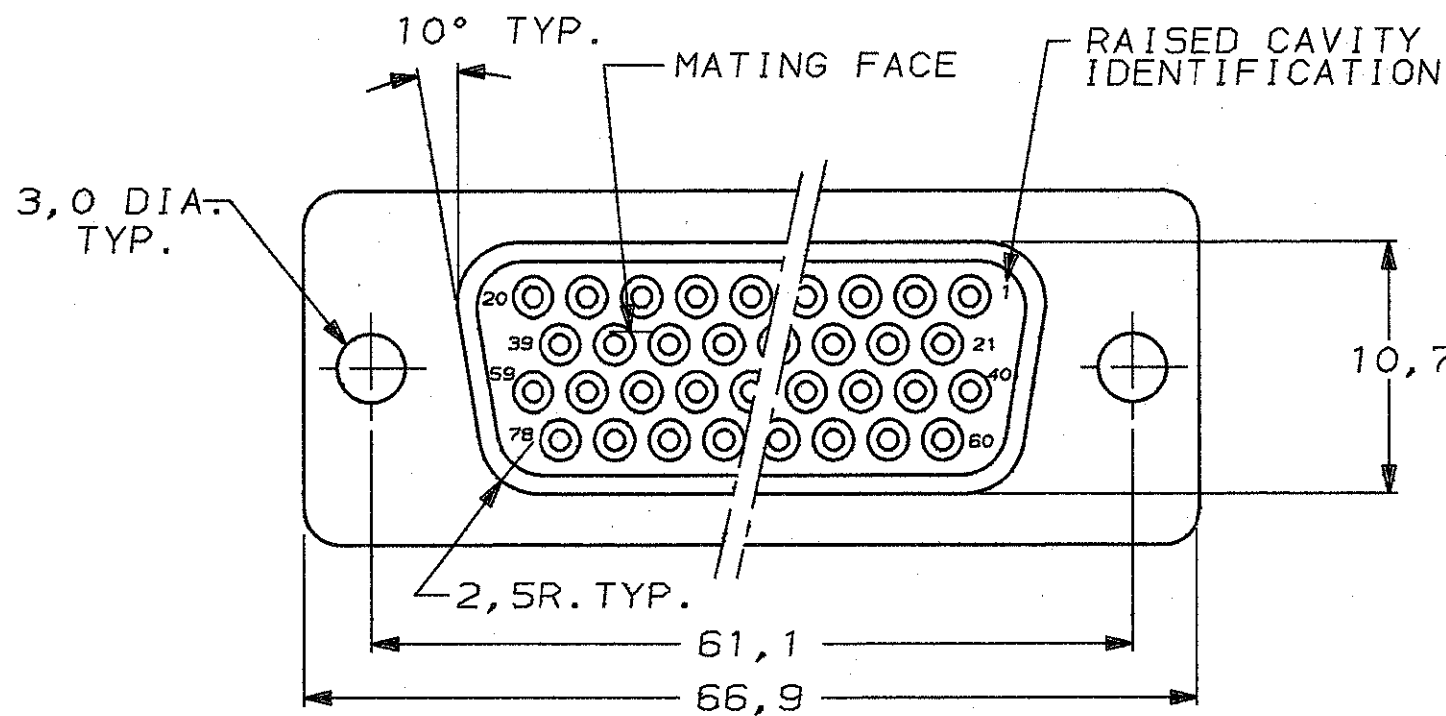
DIMENSIONS IN mm

METRIC

THIRD ANGLE
PROJECTION



- NOTES: 1 THIS RECEPTACLE ACCEPTS SIZE 22 REC. CONTACTS.
 2 RETENTION TINES ARE AN INTEGRAL PART OF INSERT.
 3 CONTACT INSERTION/REMOVAL TOOL AMP P.N. 91285-1 IS RECOMMENDED FOR USE WITH THESE CONNECTORS:



SEE DRAWING	SEE DRAWING	216168-1
FINISH	MATERIAL	PARTNUMBER
CUSTOMER DRAWING	AMP	
	AMP-HOLLAND B.V. 's-Hertogenbosch, The Netherlands.	
	THIS DRAWING IS UNPUBLISHED RELEASED FOR PRODUCTION	
FOR REFERENCE ONLY WILL NOT BE UPDATED	© COPYRIGHT 19- BY AMP-HOLLAND B.V. ALL INTERNATIONAL RIGHTS RESERVED. AMP PRODUCTS MAY BE COVERED BY U.S. AND FOREIGN PATENTS AND/OR PATENTS PENDING.	
DR. J.V.D.HEIJDEN.	DATE 07-12-88	WIRE RANGE -
CHK. <i>C. Wilburg</i>	DATE 2-1-89	INSUL. RANGE -
APP. <i>[Signature]</i>	DATE 4.1.89	SIZE A3
		SHEET 1 OF 1
	DWG. No. C-216168	REV. DATE 19 11 87
		REV. LTR. 0

8 | 7 | 6 | 5 | 4 | 3 | 2 | 1